

T152C/T112C Touchscreen Monitor

The Ideal Choice for HMI Projects

C-Series

Projected Capacitive Touchscreen



- 11.6-inch & 15.6-inch Full HD 1080P
- AF Anti-Fingerprint Coating
- 7H High Hardness Glass
- Compatible with Windows11, Linux, Ubuntu, Raspberry Pi
- Two sets of USB + HDMI for Quick Switching
- 6W/7W Ultra-Low Power Consumption
- Support Touch Media: Gloves, Wet Fingers, Stylus
- VESA 75 Compatible – Wall Mount, Monitor Arm

T152C 15.6" T112C 11.6"



1080p



HDMI



Ultra Low Power Consumption



10-point Capacitive



Anti-Fingerprint Coating



VESA 75

Features

360° Rotation, Stable Support, Instant Sharing

The T155 stand is made of aluminum alloy and stainless steel, offering a firm, durable, and high-strength structure. With VESA 75 screw holes on the T1 touch monitor, it supports both horizontal and vertical installation. The swivel base enables effortless screen adjustments, ensuring a secure and stable setup for smooth touch operation across various usage scenarios.

Optional



T155 Swivel Stand



Tilt Adjustable



Height Adjustable



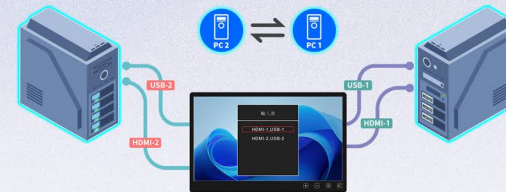
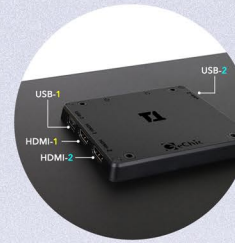
Flexible & Stable VESA 75 Mount

With a slim yet durable design, the T1 monitor maximizes mounting strength while maintaining minimal thickness. Equipped with VESA 75 screw holes on the back, it seamlessly adapts to various spaces and machine installations, securely mounting onto different stands for long-term stability.



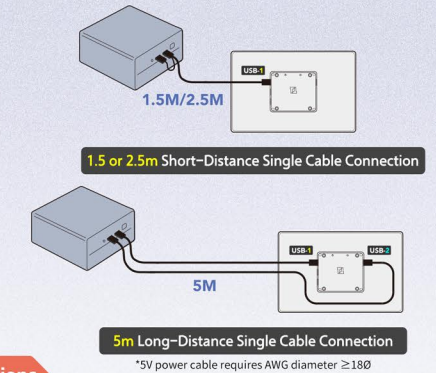
Seamless Dual-PC Switching

The T1 C Series touchscreen monitor supports dual-PC screen sharing with two sets of USB and HDMI ports to connect and operate two computers. Easily switch between devices without an external KVM switch. Enjoy stable 1080P visuals and a seamless touch experience while simplifying your setup.



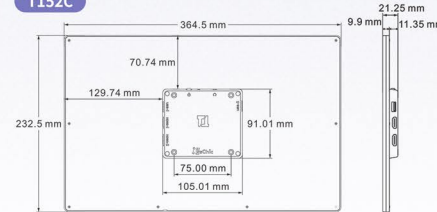
Ultra-Low Power & Stable Connectivity

The T1 C Series touchscreen monitor features an ultra-low power consumption design, requiring only **5V 1.4A** for the **T152C** and **5V 1.2A** for the **T112C**. It can be powered on via a USB-A port without the need for additional chargers or nearby outlets. A standard 1.5m USB cable supports both power and touch signals. For long-distance setups, a 5m dual USB cable ensures stable voltage and sufficient power, enabling smooth touchscreen operation all day.

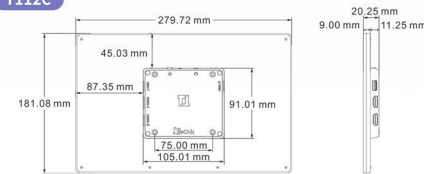


Dimensions

T152C



T112C



Specifications

Spec	T152C	T112C
Panel	Wide Screen 15.6-inch(16:9)	Wide Screen 11.6-inch(16:9)
Resolution	1920x1080	
Color Depth	16.2 M Colors	16.7 M Colors
Brightness/Contrast	250 (cd/m ²)/700:1	300 (cd/m ²)/1000:1
Viewing Angle	170°(H)/170°(V)(CR>10)	
Type of Touchscreen	Projective capacitive Touch Glass, Support 10-point touch inputs recognition	
Hardness&Thickness	Panel surface hardness ≥ 7H, Thickness 1.1mm	
Screen Coating	Clear and A.F. (anti-fingerprint)	
Video Input	HDMI-A(HDMI v1.4) x 2/ HDCP Support	
Supported Display Modes	Horizontal Frequency: 29.8KHz~67.5KHz; Vertical Frequency: 50Hz~60Hz	
Audio Output	Earphone jack(3.5mm mini jack) x 1	
USB-A(Upstream)	USB-A x 2 (Power Delivery: 5V DC Input)(USB 2.0)	
Operation System	Windows 11/10/7, Linux, Ubuntu, Chrome OS, Raspberry Pi OS, etc.	
VESA Mount	VESA 75 (75mm x 75mm)	
Power Consumption	7.0W	6.0W
Standby Mode	≤1.0W	≤1.0W
Off Mode	≤0.2W	≤0.2W
Rating Power	5V 1.4A	5V 1.2A
Weight	1296g	788g
Dimension(WxHxD)	364.5mm*232.5mm*20.6mm	279.7mm*181.1mm*20.3mm
Accessories in Package	HDMI-A Video Cable*1 USB-A Power & Touch Signal Cable*1	
Optional Accessories	USB-A Power and Touch Signal Cable(2.5m) HDMI-A Video Cable(2.5m) 5V 2A Power Adapter Set(USB-A cable included) T155 Swivel Stand	
Certification		

Package Contents



T152C or T112C Touch Monitor



HDMI-A Video Cable USB-A Power & Touch Signal Cable User Manual

